

AMLS

精密微量潤滑冷卻切削泵

MICRO LUBRICATING & COOLING OIL-MIST SYSTEM

AMLS-2

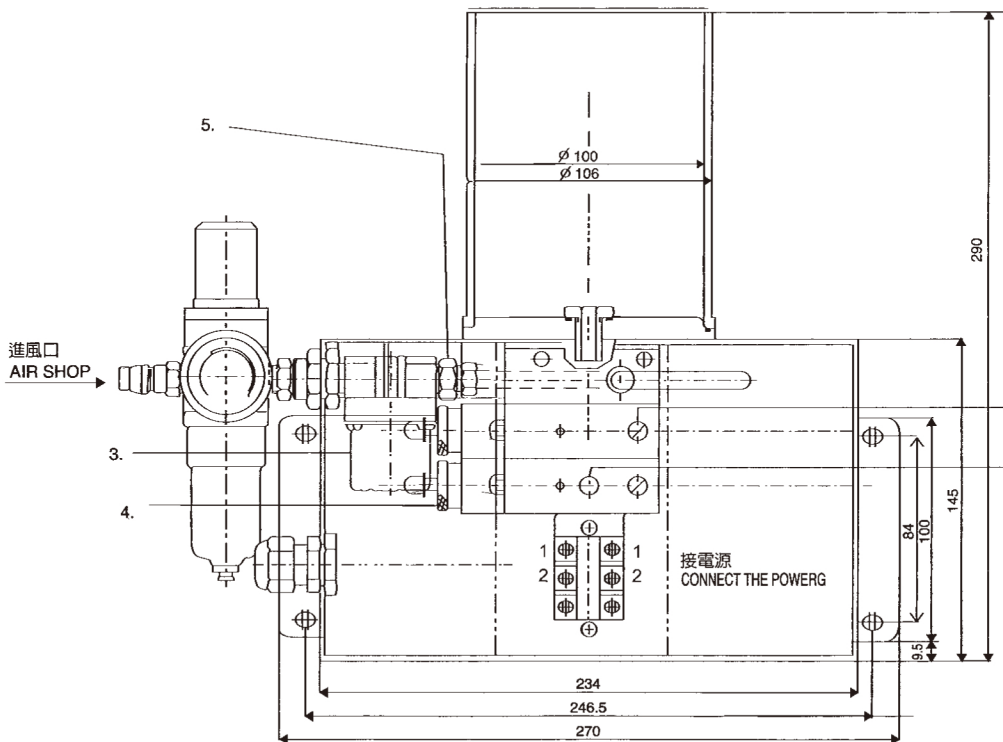


規格說明 SPECIFICATION

AMLS - 2 02 - T1P

- 油箱 Oil tank
1: 1L, plastic tank, 2: 2L
- 電壓 Voltage
01:110V, 02:220V, 24: DC24
- 噴管數
1, 2, 3

外觀及安裝尺寸 DIMENSION



1. 空壓計量調整螺絲
Knurled air
metering screw
2. 排氣孔螺絲
Drain Plug
3. 電磁閥
Air pilot valve
location
4. 油量調整鈕
Brass adjustment
knob
5. 脈波產生器調整處
Pulse generator
adjustment



油管規格 SPECIFICATION

SPT - 100L

- 長度 Length(mm)
300 / 200 / 100
- 銅 SCT: Copper
- 金屬軟管 SIT : Iron
- 塑膠 SPT: Plastic